

Haier

User manual

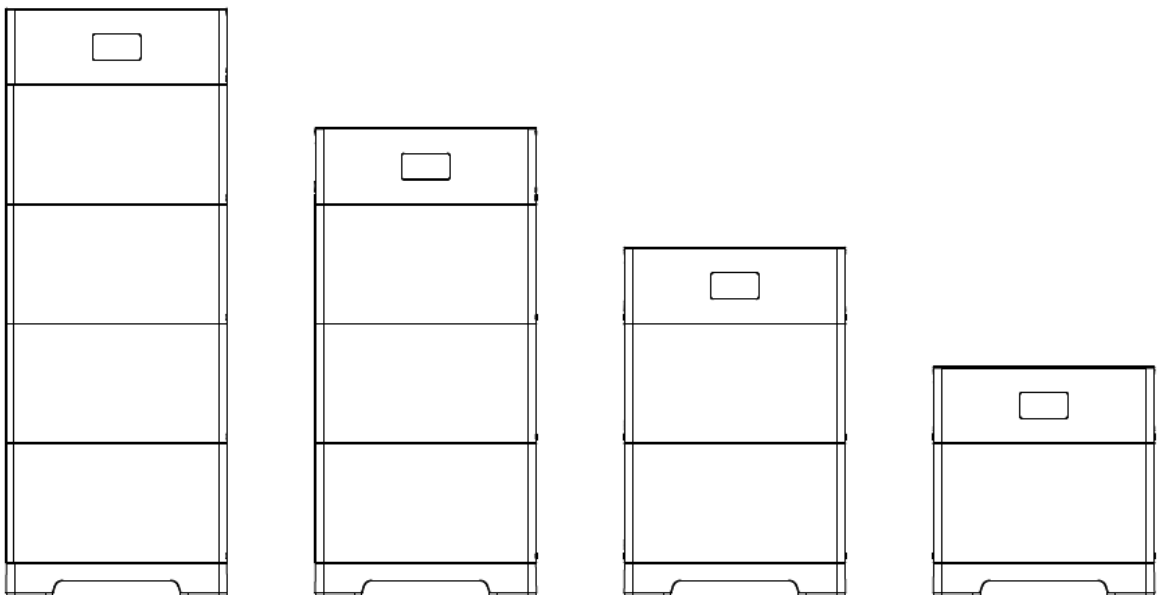
Battery energy storage system

HHS-1X5K

HHS-1X10K

HHS-1X15K

HHS-1X20K



Version 1.0

Content

1	Safety precaution.....	1
1.1	Storage and installation environment.....	1
1.2	Battery safety guidelines.....	1
1.3	Warning signs and stickers.....	1
1.4	Emergency handling.....	2
2	Product description.....	3
2.1	Product introduction.....	3
2.2	Appearance description.....	4
3	Installation guide.....	6
3.1	Environmental requirements.....	6
3.2	Installation.....	8
3.3.1	Installation tools.....	8
3.3.2	Packaging components.....	9
3.3	Installation steps.....	10
4	Electrical connections.....	19
4.1	Grounding instructions.....	19
4.2	Power connector installation.....	20
4.3	Cable connection.....	21
4.3.1	Single HHS-1X5K/10K/15K/20K system.....	21
4.3.2	Multiple HHS-1X5K/10K/15K/20K in parallel.....	22
5	Power up your system.....	23
5.1	System power up.....	23
5.2	System power off.....	24
5.3	Display description.....	24
5.4	System configuration.....	25
6	Maintenance and troubleshooting.....	27
6.1	Routine maintenance.....	27
6.2	Fault checklist.....	28
7	Warehouse storage guidelines.....	30
7.1	Packaging guidelines.....	30
7.2	Storage.....	31
8	Dispose of used batteries.....	31
9	Detailed specifications.....	31

1 Safety precaution

Read the manual carefully and operate in accordance with the safety precautions. Refer to local safety regulations on items not covered in this manual. Electrical installation, maintenance must be performed by professional / qualified personnel.











1.1 Storage and installation environment







- Handle the product gently, prevent from dropping
- Avoid open flame; keep away from flammables, explosives or corrosive chemicals
- Choose cool and dry place for storage and installation
- Prevent from water or humid intrusion
- Prevent from accidental access (children and animals)
- Do not step on the product packaging
- Do not place any foreign objects on top of the battery pack
- Do not store the battery pack upside down

1.2 Battery safety guidelines

- Prevent from electrostatic discharge
- Wear insulating gloves when handling batteries
- Do not energize auxiliary power during installation
- Check the polarity carefully before switching on the system
- Defected or damaged batteries shall not be charged or discharged

1.3 Warning signs and stickers

	Warning Generic hazard		DO not mix with domestic
	Warning High Voltage - Electrical shock hazard		Please recycle
	No flame		This side up
	No stepping on		User manual
	Warning High temperature		Protective Earth (connector)

	Warning High Voltage Wait 5 min till fully discharged		Protective Earth (general identification)
	Do not short circuit (cut off power)		Keep away from children
	Fragile		Do not get wet

1.4 Emergency handling

Wear personal protective equipment (PPE) such as goggle, facemask, insulated gloves and boots. Evaluate the situation before taking remedy action. When it is safe to do so, disconnect external AC or DC power connection.

Damaged or deformed battery enclosure

Risk of chemical leakage (i.e. electrolyte) and internal short-circuit.



Warning

Deformed or severely damaged battery pack can lead to piercing of cell pouch (chemical leakage) or internal short-circuit (thermal runaway). The damaged battery pack can release toxic gas. Keep away from it.

In case of accidental skin contact, wash the skin thoroughly with soap and seek medical advice. For eye contact, wash under running water (~15 minutes) and require immediate medical attention.

Fire hazard

If the fire is not from the battery or not spread to the battery, use FM-200 or CO₂ fire extinguisher to put out the fire.

If the battery pack catches fire, do not attempt to put out the fire and evacuate immediately.

Seek medical in case of inhalation of pungent and toxic fumes.

Keep damaged batteries isolated and call your local fire department. Contact service for further support.

Water damage

Risk of electric shock and internal short-circuit. In case of splash or water spillage, when it is safe to do so, dry the product. If any part of the battery system is submerged, keep away from water.

Do not reuse the submerged battery. Contact a service for support.

2 Product description

HHS-1X(5/10/15/20)K is a plug-in energy storage system consisting of battery module B051100P03-H and control box H0K6050P03-H. The battery module can convert high voltage direct current (HVDC) into low voltage direct current (LVDC) through DC to DC conversion inside the battery and stores the power in batteries, it can also convert LVDC into HVDC and send the power to the grid through the inverter.

This document provides product introduction, installation, commissioning, maintenance, troubleshooting, packaging and transportation information.

2.1 Product introduction

- Residential energy storage system with lithium iron phosphate (LFP) technology
- Modular design, single battery system with 5 to 20kWh (1 – 4 pcs battery)
- Single battery module is equipped with DC to DC conversion, which increases the output voltage to 350~450V
- Supports power expansion, and the single battery system with power 2.5 to 10kW
- Expandable to 60kWh (3* HHS-1X20k connected in parallel)
- Support the mixing of new and old batteries
- Indoor or outdoor installation (IP65)
- PCS communication interface: CAN or RS485
- Bluetooth and WiFi for Mobile APP (PowerLite)
- Advanced battery management system (BMS) provides data acquisition, status monitoring and control to ensure the safe and reliable operation of the system

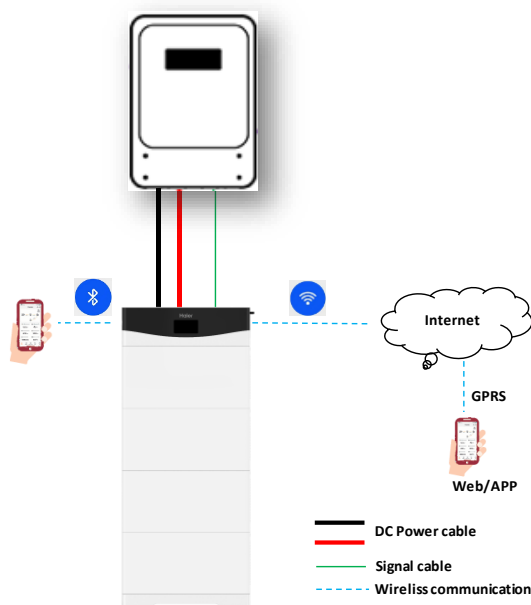


Figure 2-1-2 System topology

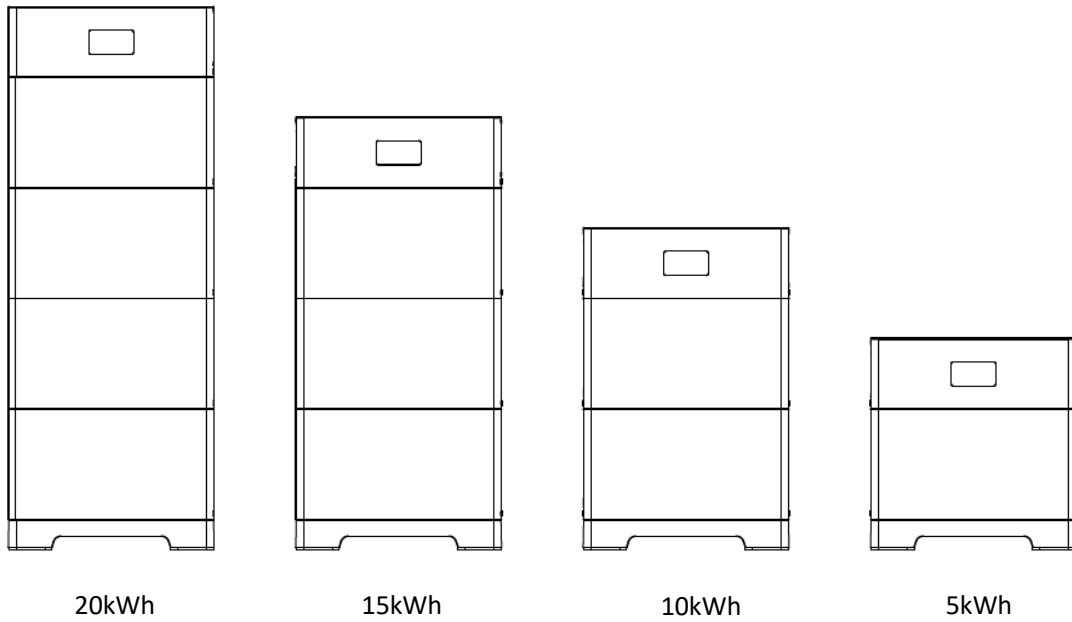


Figure 2-1-1 HHS-1X5K/10K/15K/20K configurations

2.2 Appearance description

- Appearance of the whole system

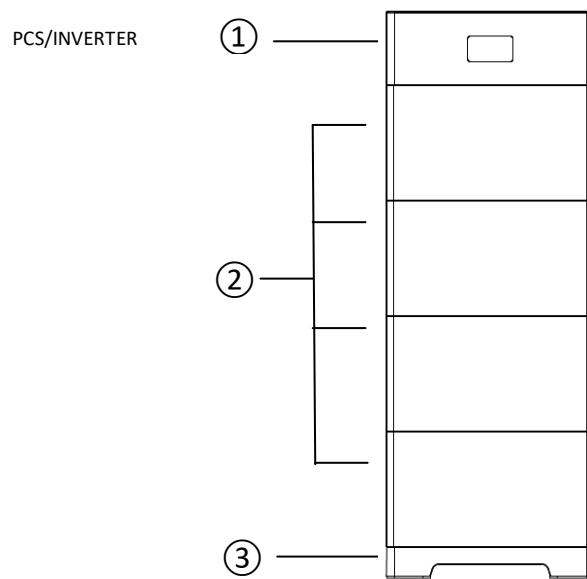


Figure 2-2-1 Appearance of the whole machine

- ① Control module ② Battery module ③ Mounting the base

● Control module

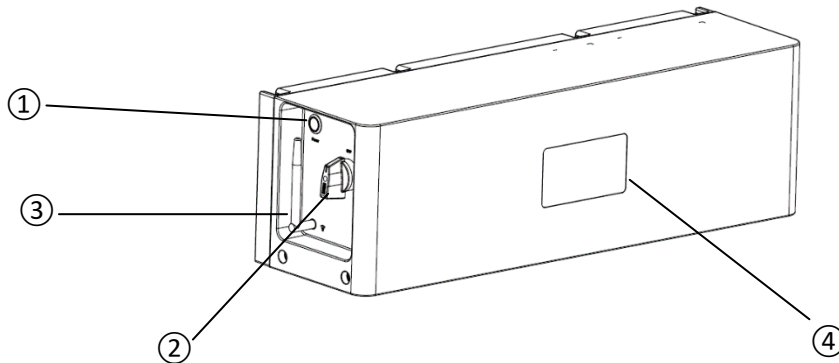


Figure 2-2-2 Left side of control module

① Power button ② DC breaker ③ Wi-Fi antenna ④ display

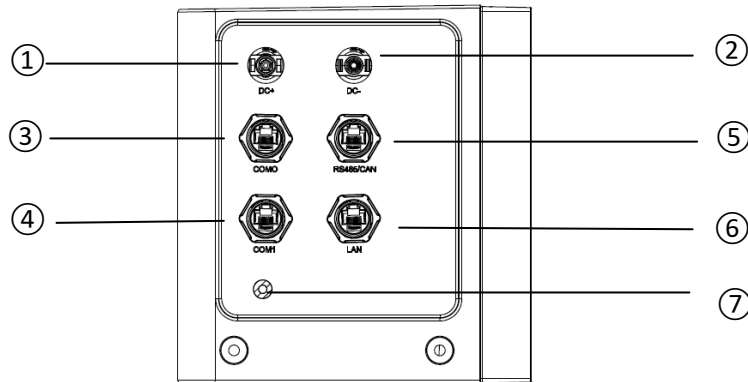
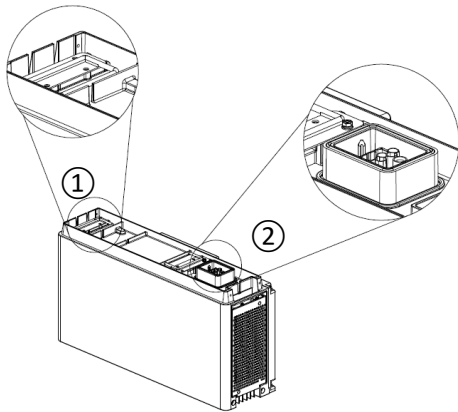


Figure 2-2-3 Right side of the control module

① Output Positive (DC+) ② Output Negative (DC-)
 ③ Parallel communication 0 (COM0) ④ Parallel communication 1 (COM1)
 ⑤ PCS communication (RS485/CAN) ⑥ Maintenance (LAN)
 ⑦ Protection earth (PE)

● Battery module



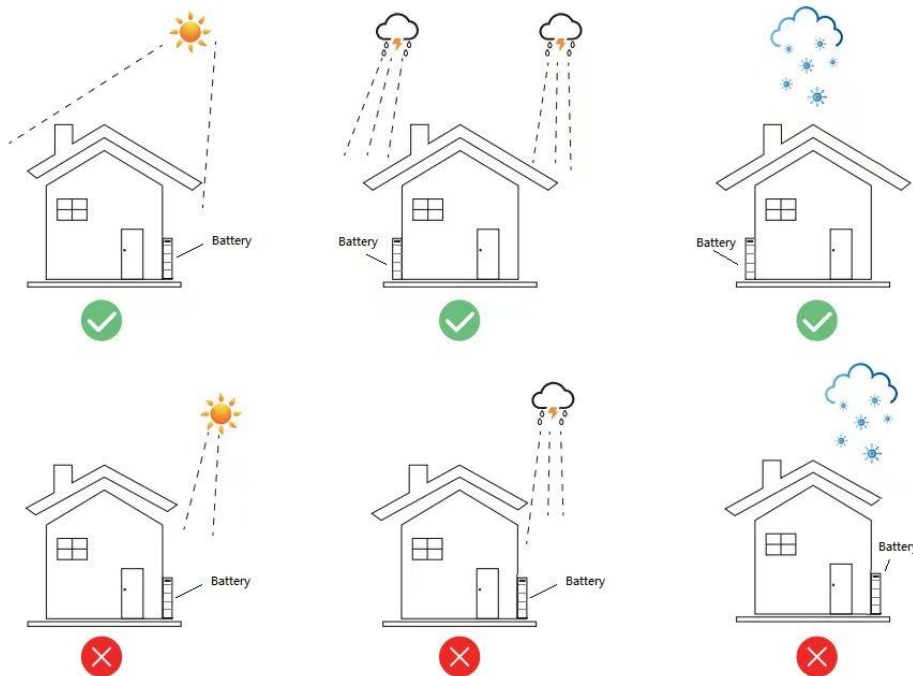
① Handle ② Power/communication connector

Figure 2-2-4 Structure diagram of battery module

3 Installation guide

3.1 Environmental requirements

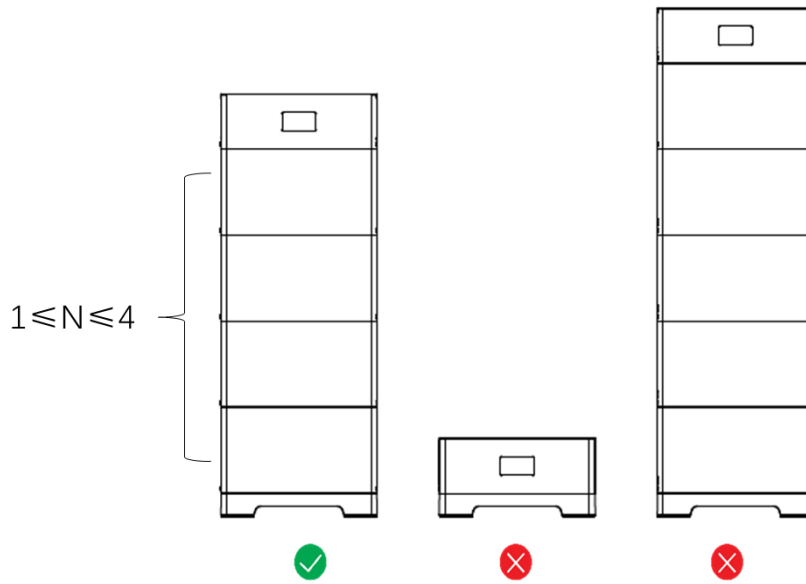
- a. Ambient temperature: $-10^{\circ}\text{C}\sim+50^{\circ}\text{C}$ (recommended: $10^{\circ}\text{C}\sim35^{\circ}\text{C}$ or $50^{\circ}\text{F}\sim95^{\circ}\text{F}$).
- b. Ambient humidity: 10-95%.
- c. Altitude $<2000\text{m}$.
- d. For outdoor installation
 - Avoid direct sunlight
 - Avoid rain and snow
 - Avoid location susceptible to flooding
 - Install under shed if possible
- e. For indoor installation
 - 3 feet clearance from doors, windows, driveway or other batteries
 - Keep away from heating device.
 - Prevent from corrosive chemicals
 - Prevent from water spillage
 - Consider location equipped with ventilation fans, smoke, heat, or flammable gas detector



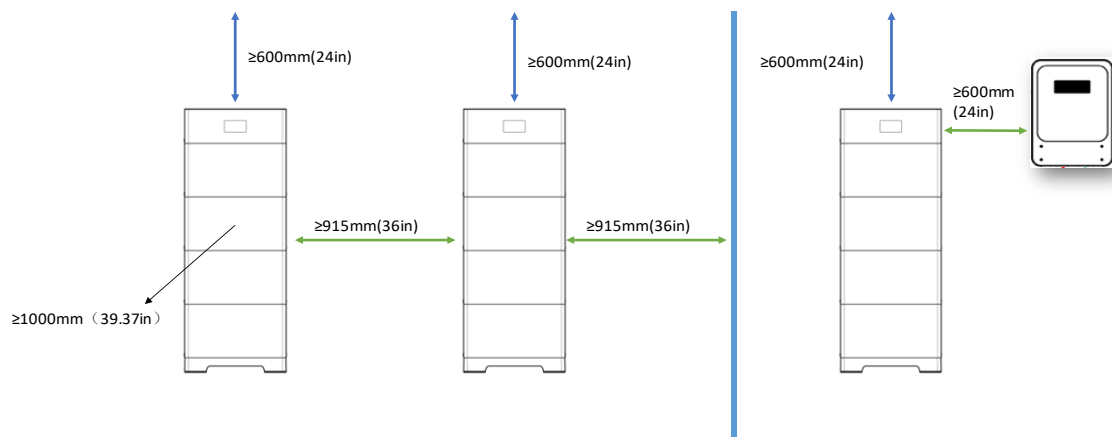
HHS-1X5K/10K/15K/20K performance degrades when ambient temperature is below 10°C (50°F) or above 40°C (104°F) degrees.

Installation physical requirements

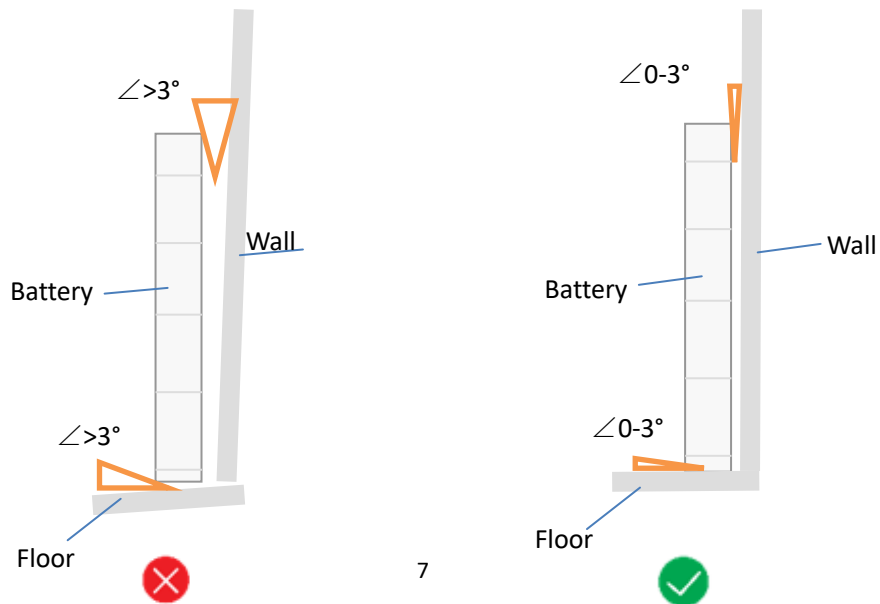
a. Item inspection



b. Installation clearance

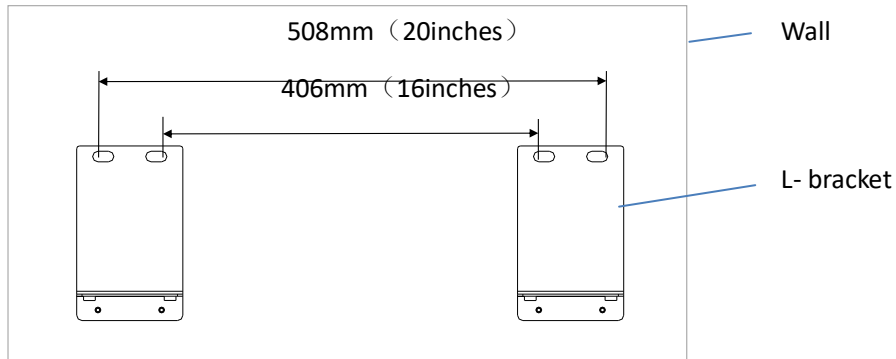


c. Level control



d. L-bracket fixing bolt positioning

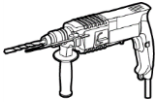



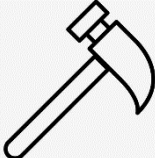

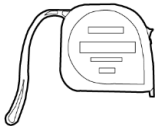
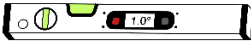
Take into account the actual surface condition before fixing the L-bracket: the bolt spacing is 406 mm (16 inches) for the inner ones and 508mm (20 inches) for the outer ones, as illustrated below.







Avoid electricity wire, metal conduit or pipe inside the wall; consider using wall scanner (wall detector)

3.2 Installation

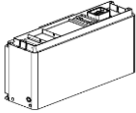

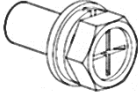
3.3.1 Installation tools

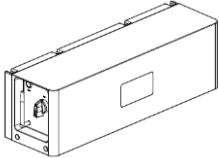
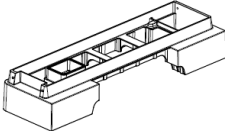

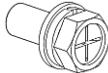




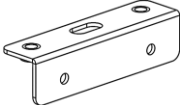

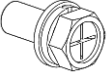

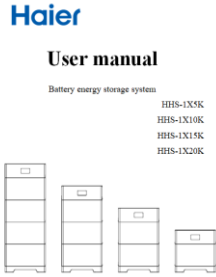
 <p>Impact drill (3/8 & 13/64 drill)</p>	 <p>Torque wrench (7/16 & 9/16 hexagonal socket)</p>	 <p>Marker pen</p>	 <p>Electric batch</p>
 <p>Hammer</p>	 <p>Detector</p>	 <p>Steel tape</p>	 <p>Level ruler</p>

Personal Protective Equipment (PPE)





			
Safety gloves	Safety goggles	Dust mask	Safety shoes

3.3.2 Packaging components

Battery Module Packaging Components		
		
Battery module X1	Screw cover X4	Fixing screws (M5*12) X4

Control Module Packaging Components			
			
Control module X1	Base X1	L-bracket X4(max)	Fixing screws (M5*12) X12(max)
			
Expansion screw M8*80 X4(max)	Self-tapping screws M6*60 X4(max)	M6*18*2 large flat pad X4 (max)	Grounding Terminals X1
			
Angle bracket X4(max)	Screw cover X4	Fixing screws (M6*14) X8(max)	M8 flange nuts X4(max)
			
Haier User manual Battery energy storage system HHS-1X5K HHS-1X10K HHS-1X15K HHS-1X20K			
User manual X1			

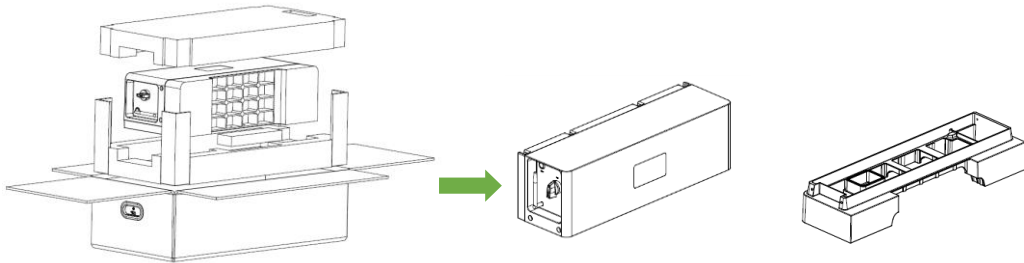
Cable kit Packaging Components

 <p>Positive wire harness X1</p>	 <p>Negative wire harness X1</p>	 <p>PCS-RS485/CAN communication cable X1</p>	 <p>120ohm resistance 0</p>
---	---	---	--

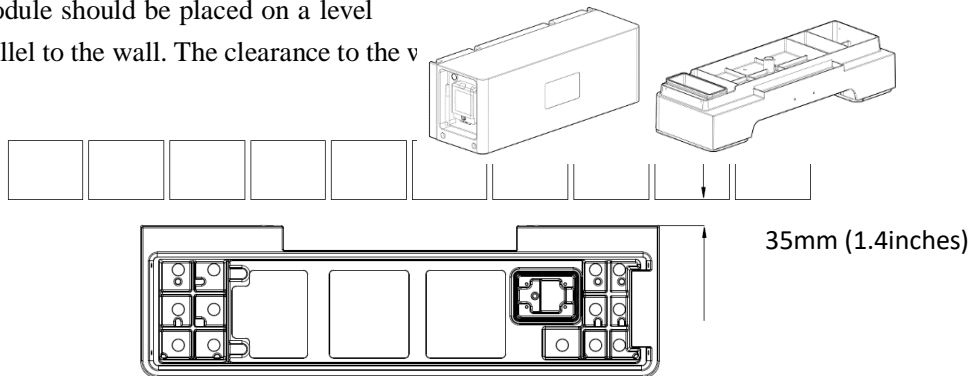
3.3 Installation steps

a. Place the base

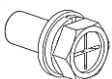
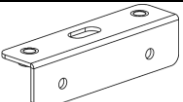
Take the control module and base module out of the carton and put them side by side.

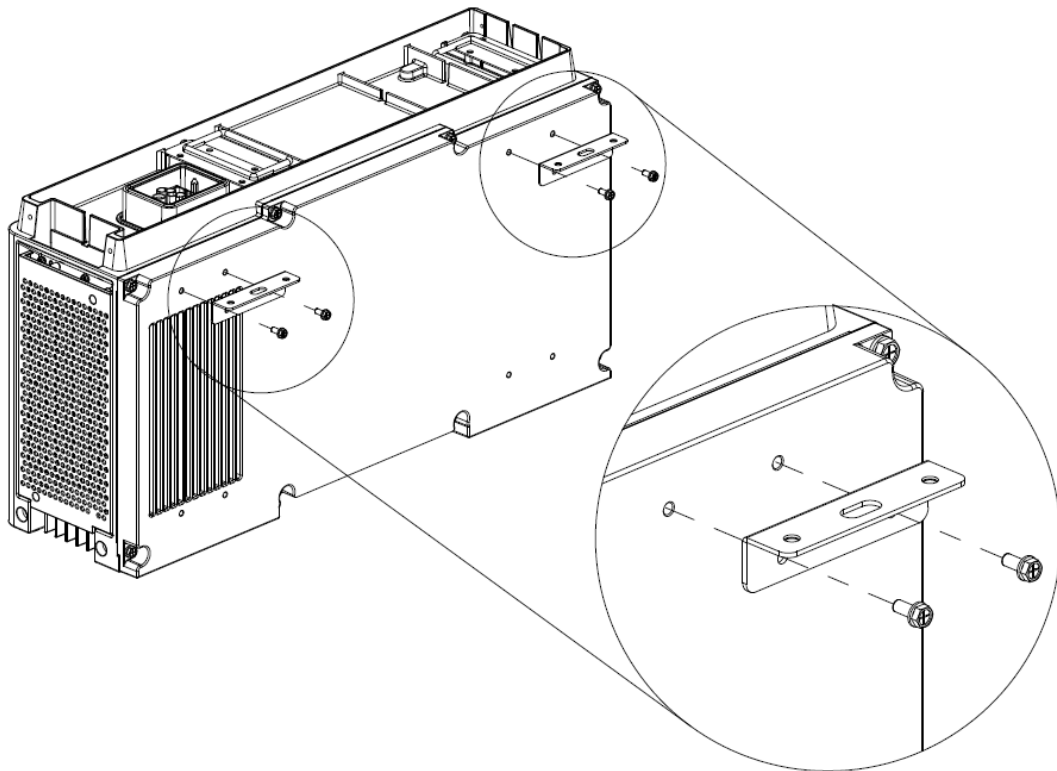


The base module should be placed on a level ground, parallel to the wall. The clearance to the v



b. Install the angle bracket

Fixing screw	M5*12	4 pcs	
Angle bracket	-	2 pcs	



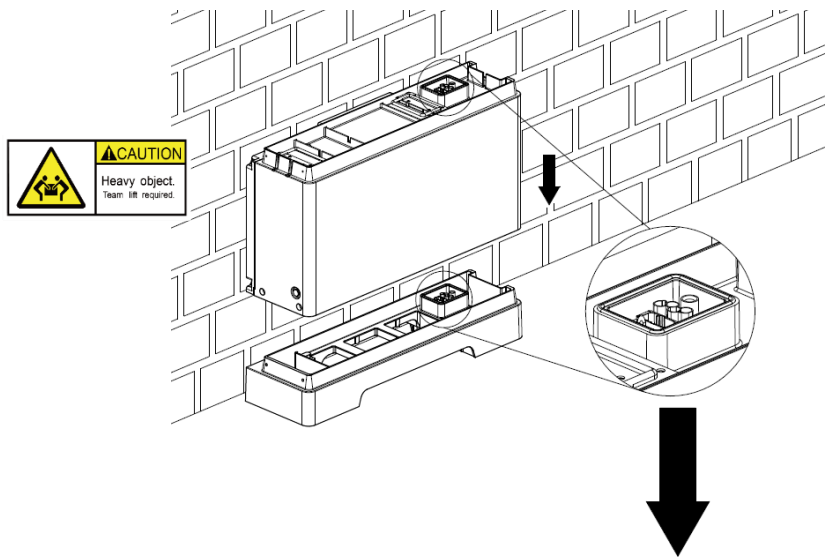
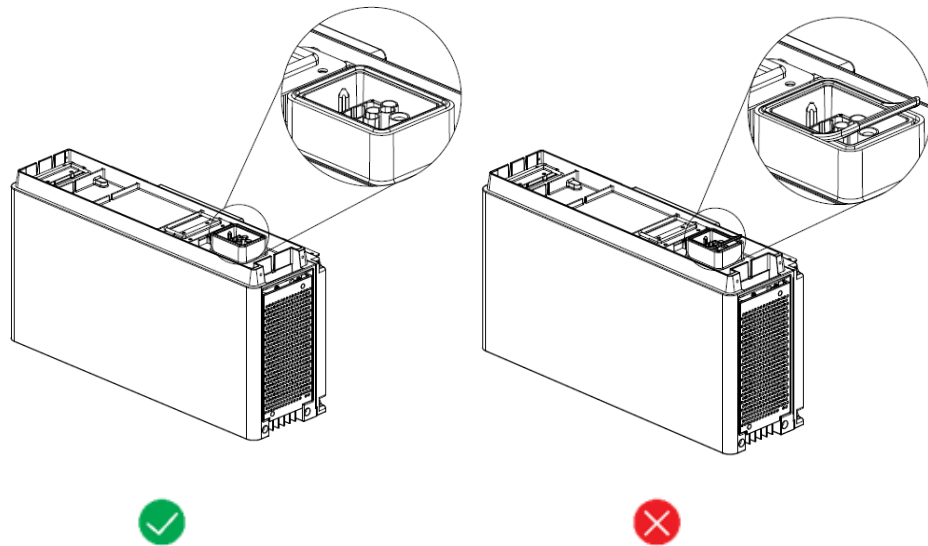
Refer to the following for the recommended the wall mounting assembly (angle bracket + L-bracket) installation:

<p>1 mounting assembly on Batt. No.1</p>	<p>1 mounting assembly on Batt. No.2</p>	<p>2 pcs mounting assembly on Batt. No.2 Batt. No.3</p>	<p>2 pcs mounting assembly on Batt. No.2 Batt. No.4</p>

c. Stack battery module

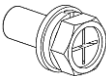



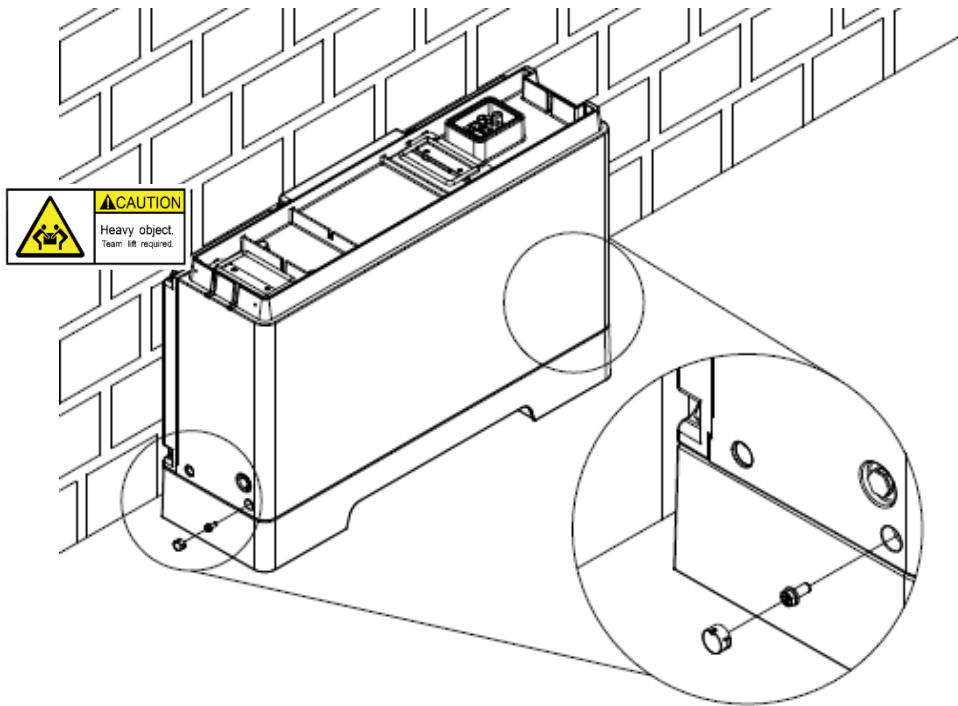
Before stack battery module, please remove the waterproof cover and check that the terminal sealing ring is well fixed.



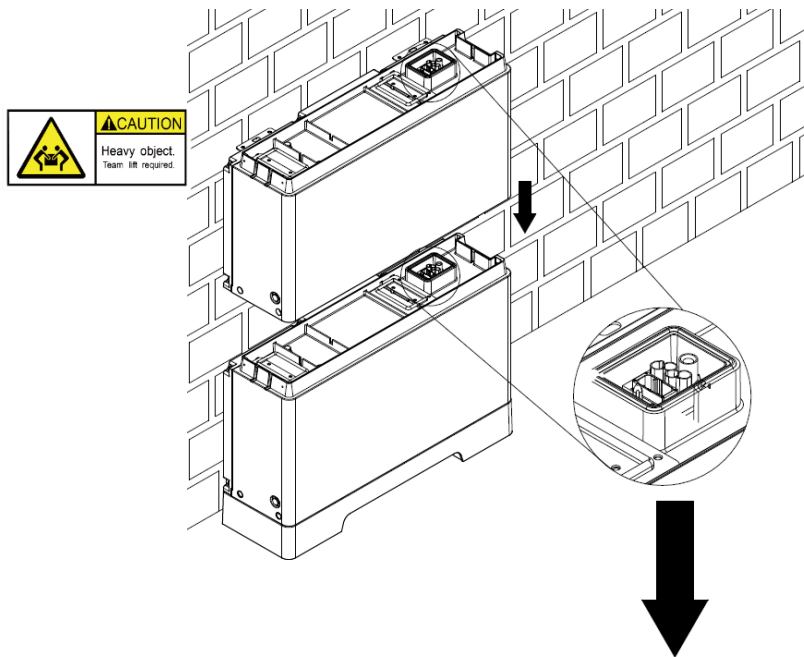
Unit weights 50kg (110.2lbs). Two or more people are necessary. Align the connector side first, then stack gently to avoid damaging the connector!

Fasten the installed battery module

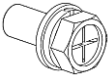

Fixing screw	M5*12	4 pcs	
Screw cover	plastic	4 pcs	

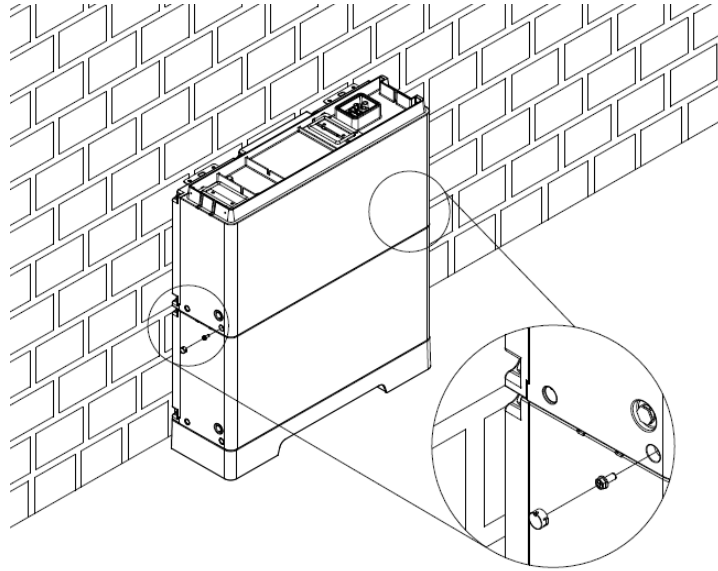


d. Adding additional battery module




Fasten the stacked battery module

Fixing screw	M5*12	4 pcs	
Screw cover	plastic	4 pcs	

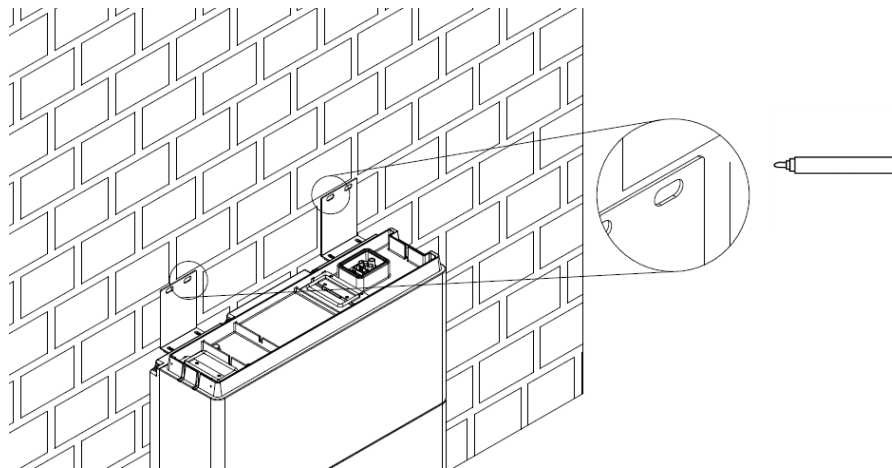


e. Install L-bracket

L-bracket	-	2 pcs	
-----------	---	-------	--

① Mark the screw position


Place the L-shaped bracket against the wall on the L-bracket and mark the drilling point



② Drilling (for concrete or brick wall) and fixing the L-Bracket to the wall



Use PE bag from the product packaging to prevent falling debris.

Case 1 for concrete wall or brick

Expansion screw	M8*80	2 pcs	
-----------------	-------	-------	---

Flange nut	M8	2 pcs	
------------	----	-------	---

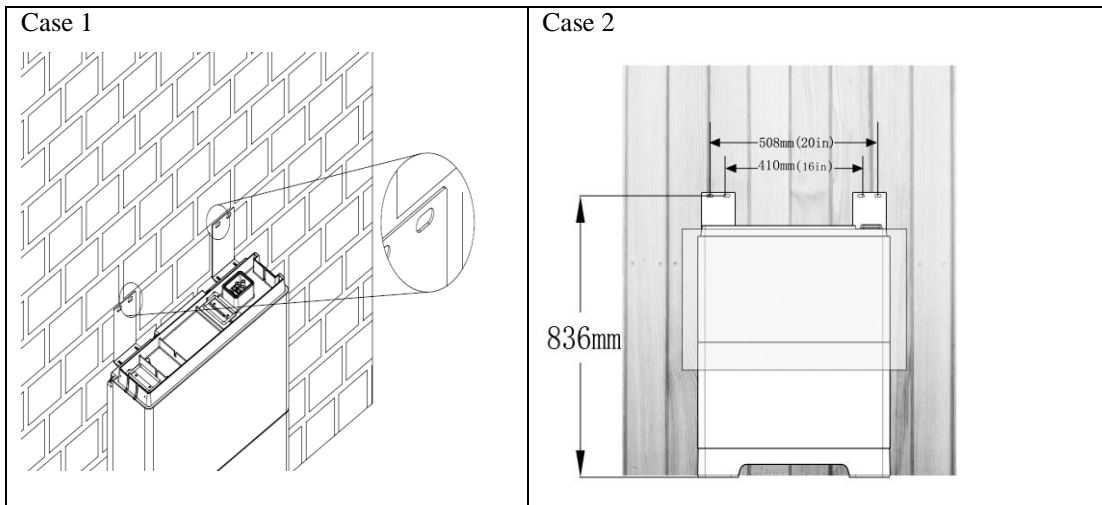
Case 2 for wooden wall

Self-tapping screws	M6*60	2 pcs	
Large flat pad	M6	2 pcs	

Note: The self-tapping screw must penetrate the stake 38mm.

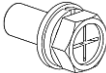
1, Use M6*60 2pcs self-tapping screws to drill directly into the stake.

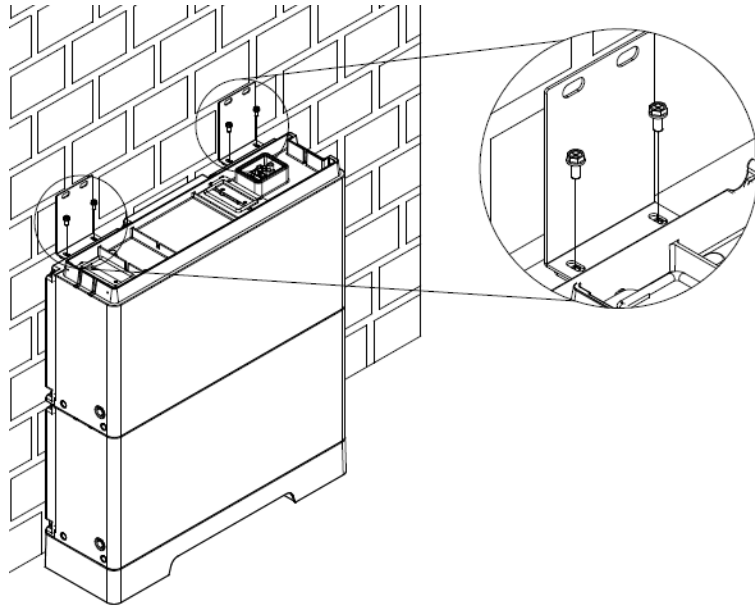
2, Use a 13/64 bit to pre-drill the holes if there are concrete wall partitions in front of the stakes.



Make sure the connector is clean from debris.

③ L-shaped bracket assembly

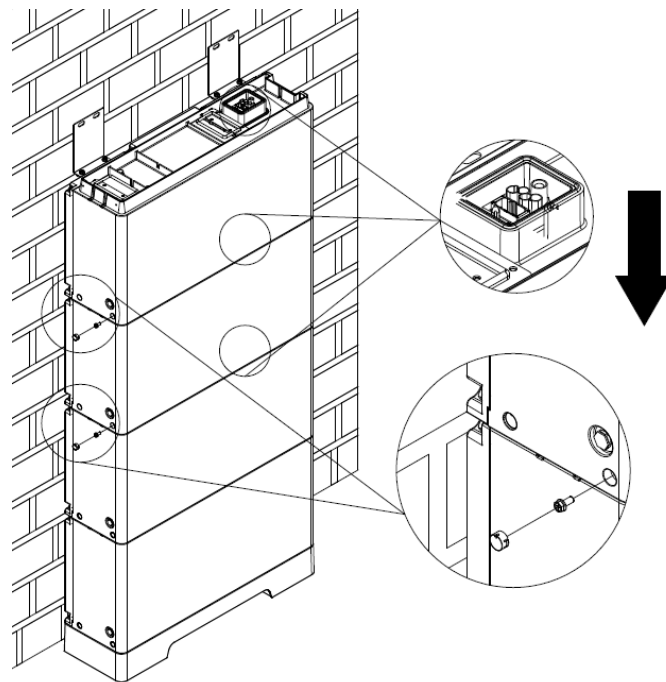
Hex screw	M6*14	4 pcs	
-----------	-------	-------	---



f. Stack additional battery modules (up to 4 battery modules in total)

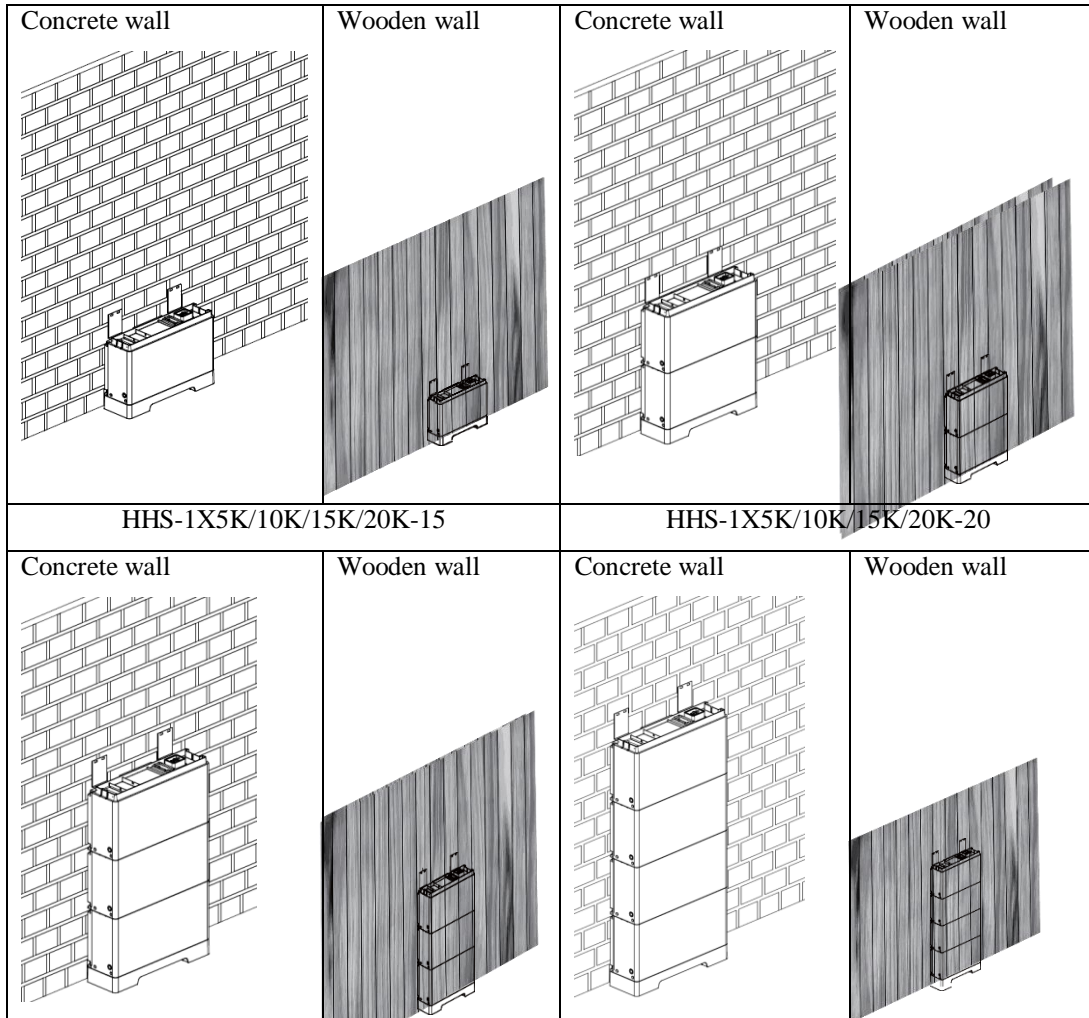
Fasten the stacked battery module

Fixing screw	M5*12	8 pcs	
Screw cover	plastic	8 pcs	



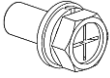

g. The overall bracket completes the installation position arrangement

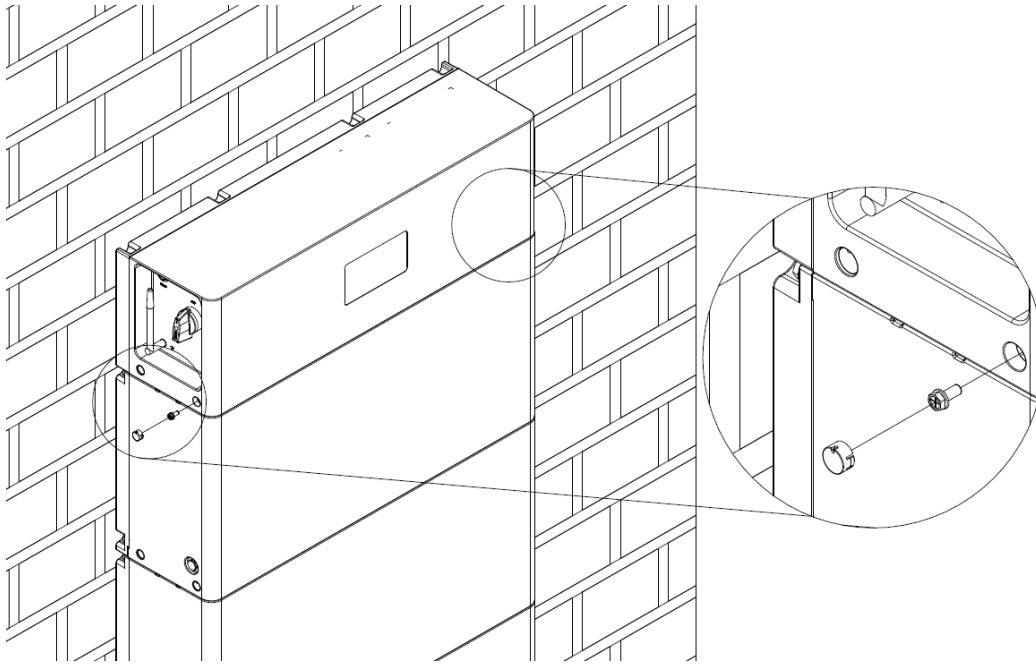
HHS-1X5K/10K/15K/20K-5	HHS-1X5K/10K/15K/20K-10
------------------------	-------------------------



h. Control module installation

①Fasten the stacked battery module

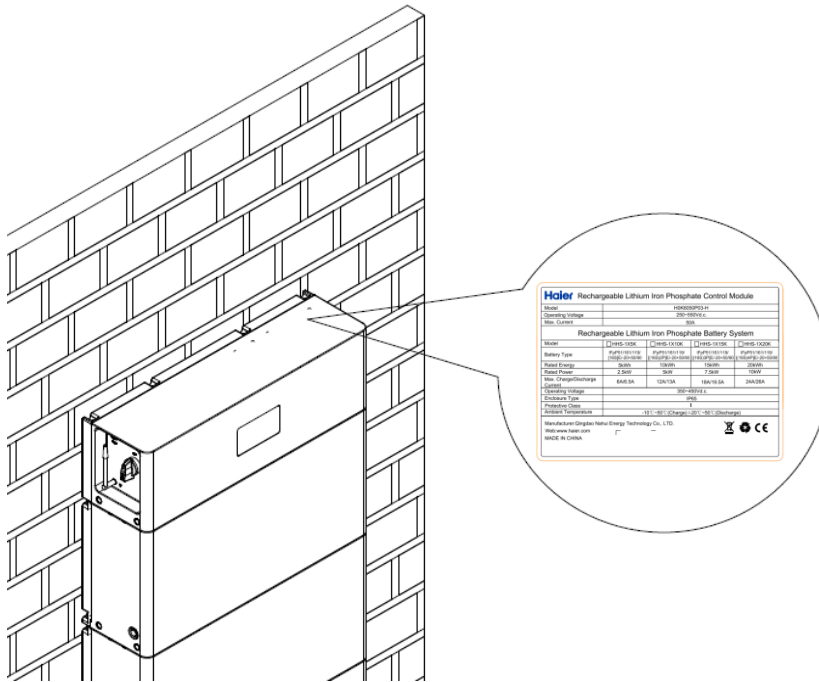
<p>Fixing screw</p>	<p>M5*12</p>	<p>4 pcs</p>	
<p>Screw cover</p>	<p>plastic</p>	<p>4 pcs</p>	



② Check model

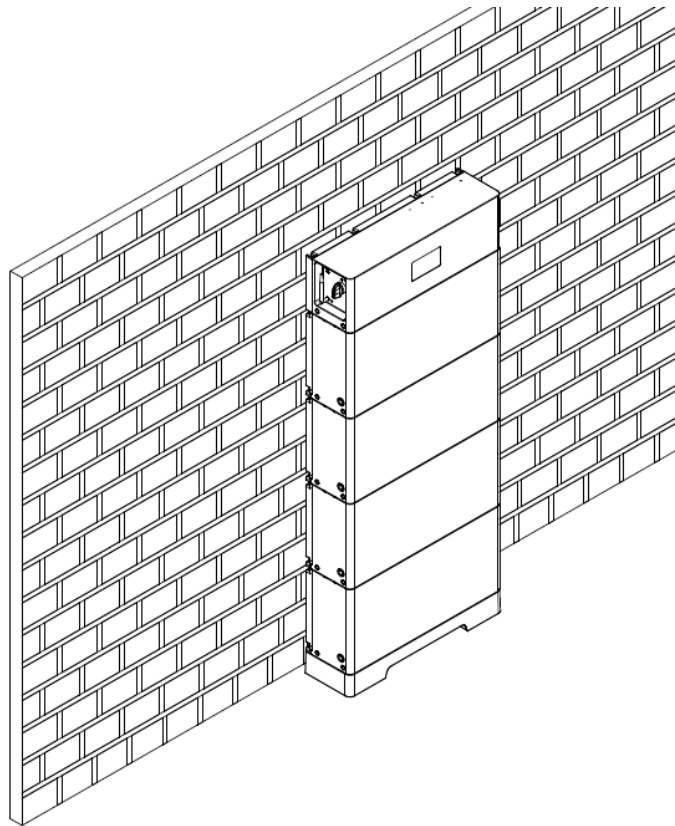
Tick the nameplate model according to the number of installed battery modules:

5kWh: HHS-1X5K/10K/15K/20K-5	10kWh: HHS-1X5K/10K/15K/20K-10
15kWh: HHS-1X5K/10K/15K/20K-15	20kWh: HHS-1X5K/10K/15K/20K-20



Haier Rechargeable Lithium Iron Phosphate Control Module	
Model:	40000000020
Operating Voltage:	200-240VAC
Max. Current:	30A
Rechargeable Lithium Iron Phosphate Battery System	
System:	12V/100Ah 12V/150Ah 12V/200Ah 12V/240Ah
Battery Type:	LiFePO4 (LFP)
Rated Energy:	1200Wh (100Ah) 1800Wh (150Ah) 2400Wh (200Ah) 2880Wh (240Ah)
Rated Power:	3000W 3600W 4800W 5760W
Max. Charge/Discharge:	64A/3A 12A/15A 16A/16.5A 20A/20A
Operating Voltage:	100-140VDC
Efficiency Type:	95%
Operating Temp:	0°C
Working Temperature:	0°C (Charge) / -10°C (Discharge)
Manufacturer: Qingdao Haier Energy Technology Co., Ltd. Manufacturer Address: Haier Road, Licun, Licun Town, Licun District, Qingdao, Shandong, China Haier Energy Technology Co., Ltd.	

i. Installation accomplish



4 Electrical connections



Do not power on the system during electrical connection.

4.1 Grounding instructions

The recommended grounding cable specifications are as follows.

Ground cable	10AWG (yellow-green)
Ring terminal	M5
Screw	M5

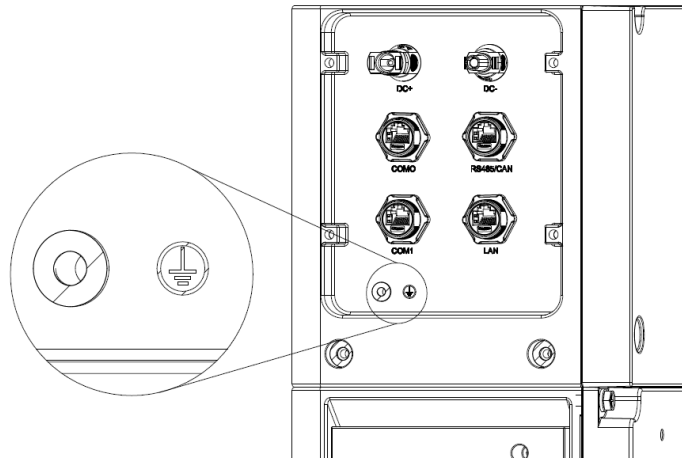
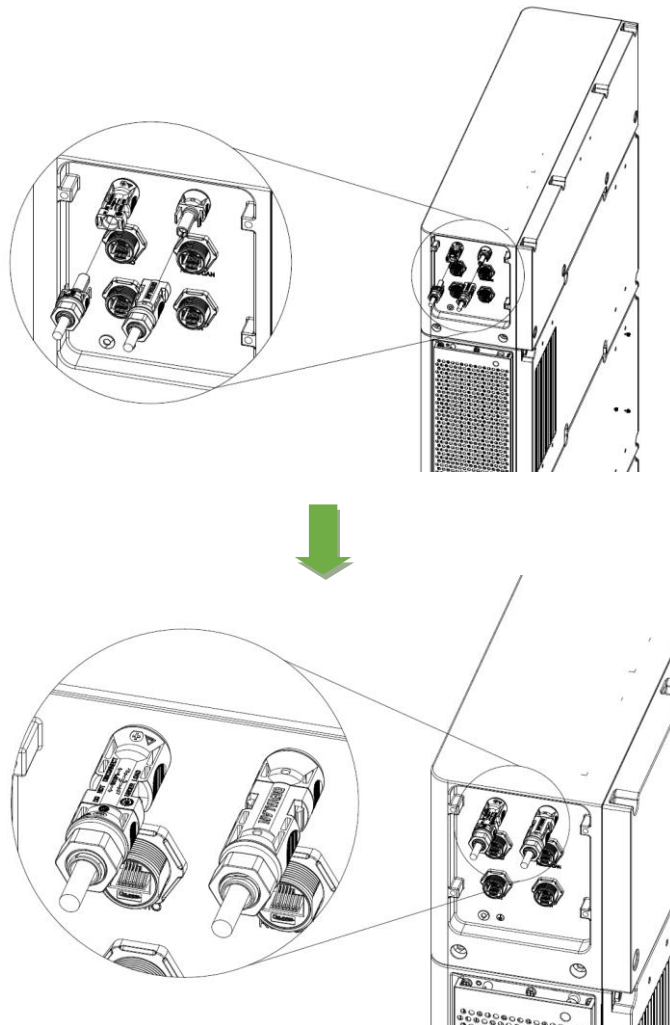


Figure 4-1-1 Schematic diagram of equipment grounding

4.2 Power connector installation



4.3 Cable connection

4.3.1 Single HHS-1X5K/10K/15K/20K system



Refer to user manual for inverter connection.

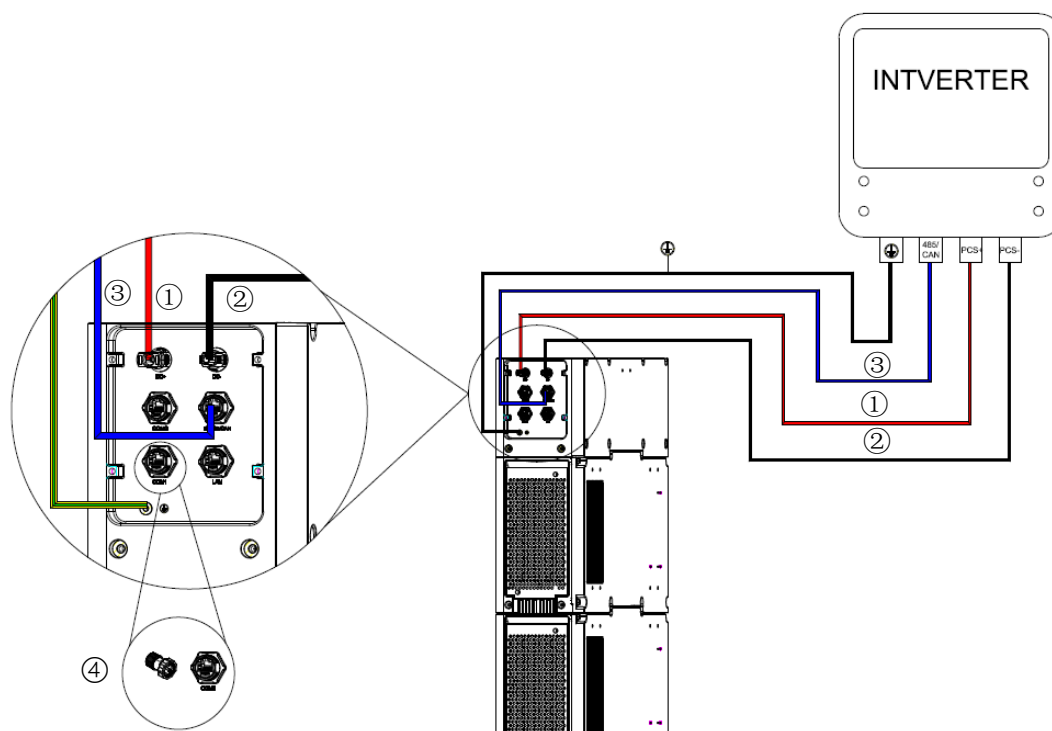


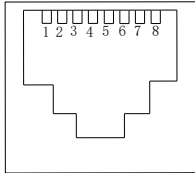
Figure 4-3-1 Wiring diagram of single machine system

No.	Harness name	Cable mark
①	Positive wire harness	DC+ PCS/BAT+
②	Negative wire harness	DC- PCS/BAT-
③	PCS-RS485/CAN communication cable	BAT PCS
④	120ohm resistance	/



120ohm resistance should be installed on COM1 port (To eliminate signal reflections in communication cables.)

RS485/CAN port pin definition of the control module:

Color	Port	Pin	Function
Orange-white		1	RS485A
Orange		2	RS485B
Green- white		3	NC
Blue		4	CANH
Blue- white		5	CANL
Green		6	NC
Brown-white		7	Wakeup+(5VDC)
Brown		8	Wakeup-

4.3.2 Multiple HHS-1X5K/10K/15K/20K in parallel

Up to 3 pcs HHS-1X5K/10K/15K/20K can be connected in parallel. The power conductor of the combined HHS-1X5K/10K/15K/20K output shall be according to the total current rated.



Consider using a distribution box when combining positive and negative output from multiple HHS-1X5K/10K/15K/20K as illustrated below. Choose proper conductor / cable in a way that the current during normal or fault condition (fault current) do not lead to excessive heating of the material or fire hazard.

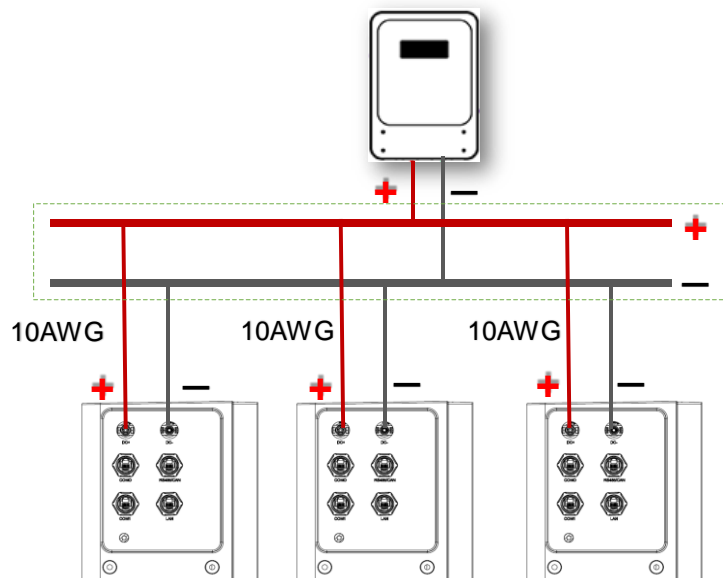


Figure 4-3-2a Power wiring diagram of parallel system
(dashed square represents the DC combiner box, recommended for installers.)

For inverter communication, only the CAN/RS485 on the mater unit needs to be connected. Communication between HHS-1X5K/10K/15K/20K is by connecting COM0 (slave-side) to COM1 (master-side) as illustrated below.

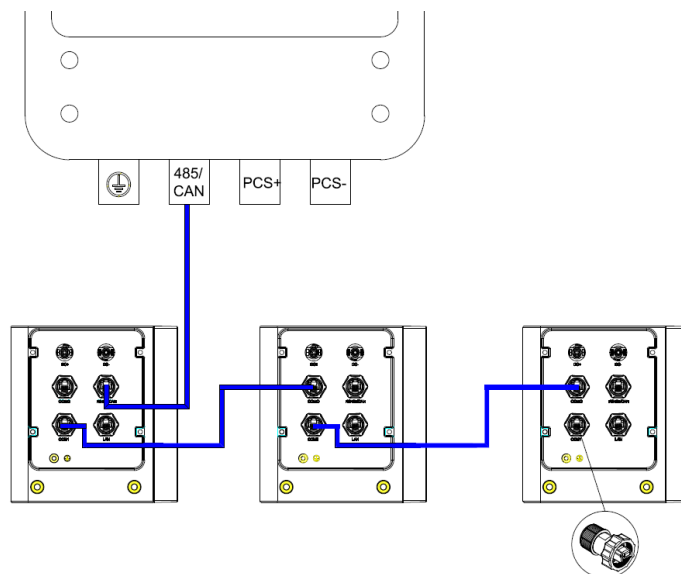


Figure 4-3-2b Communication wiring of multiple system

5 Power up your system



Checked all connections thoroughly before proceeding.

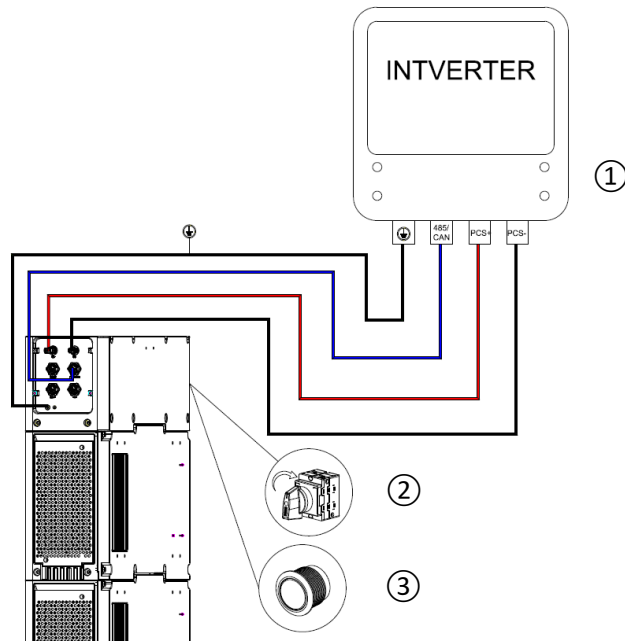


Refer to user manual for inverter operation.

5.1 System power up

- Close the inverter side switch ① (if the inverter has a separate battery switch).
- Close the control module circuit breaker ② (MCB).
- Press and hold the POWER button ③ for more than 3s.

The POWER button lights up, the output is enabled and the display interface lights up.



Note: Each cluster of battery systems in parallel system is powered on independently.

5.2 System power off

- Turn off the battery switch on the inverter side ① (if any) or make the inverter stop charging and discharging the battery.
- Press and hold the POWER button ③ for more than 8s.
- Disconnect the battery side MCB ②.

The system disable output. Both Power button led and the display goes off.

Note: Each cluster of battery systems in parallel system is powered off independently.

5.3 Display description

- The display will automatically turn off after idling for 10 minutes.
Short press the POWER button (1s) to wake up the display.

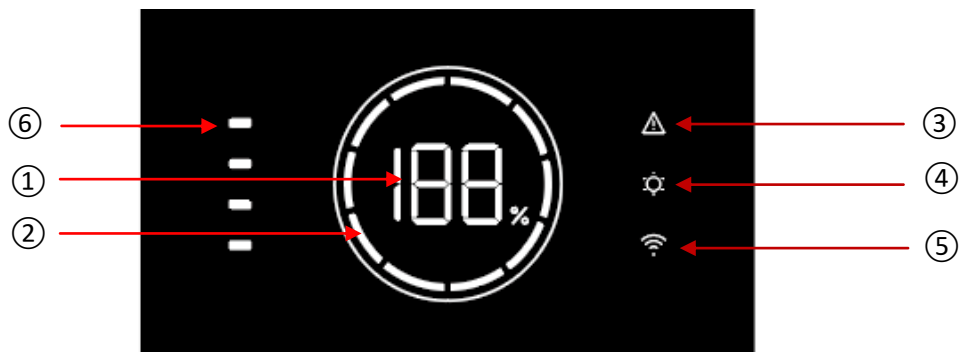


Table 5-3-1 Display

Item	Description	Function
①	SOC	Digital display of real-time state of charge (SOC)
②		[Constant on] discharging / idling, lit-up blue bar shows SOC. [Flashing] charging (last bar in counterclockwise direction)
③	System status	[Constant on] normal [Flashing] system fault
④	Heating state	[Constant on] heating function activated, [Off] heating function is not activated
⑤	Network status	[Constant on] Wi-Fi network connection successful [Flashing] Wi-Fi network is not connected
⑥	Battery module status	[constant on] battery module is normal [Flashing] battery module fault

5.4 System configuration

a. Download and install PowerLite APP

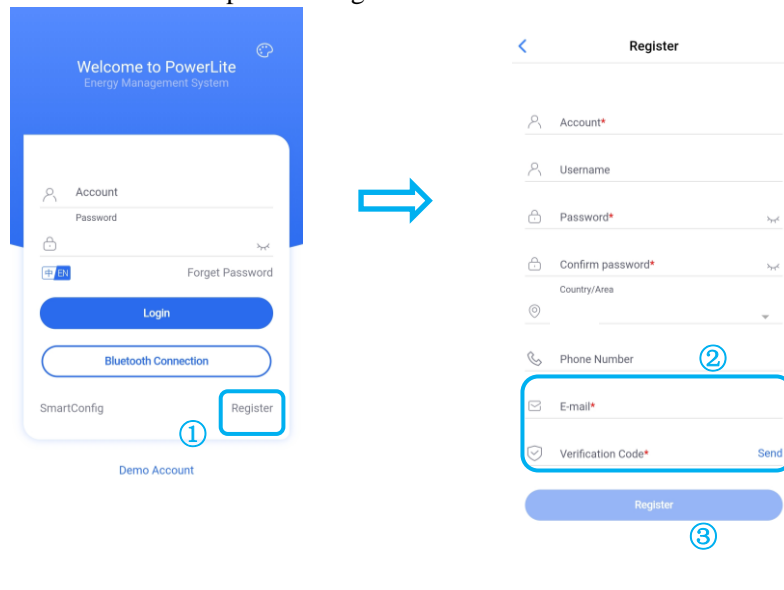
The battery parameter setting and remote monitoring can be realized through the APP software (PowerLite), please go to the App Store or Google Play to search for "PowerLite" to download and install.

b. Network configuration

- 1) Turn on the Wi-Fi and Bluetooth signal on your phone
- 2) Click Register to go to register an account



Enter the registration interface and fill in the information, after receiving the verification by email, enter the verification code to complete the registration.



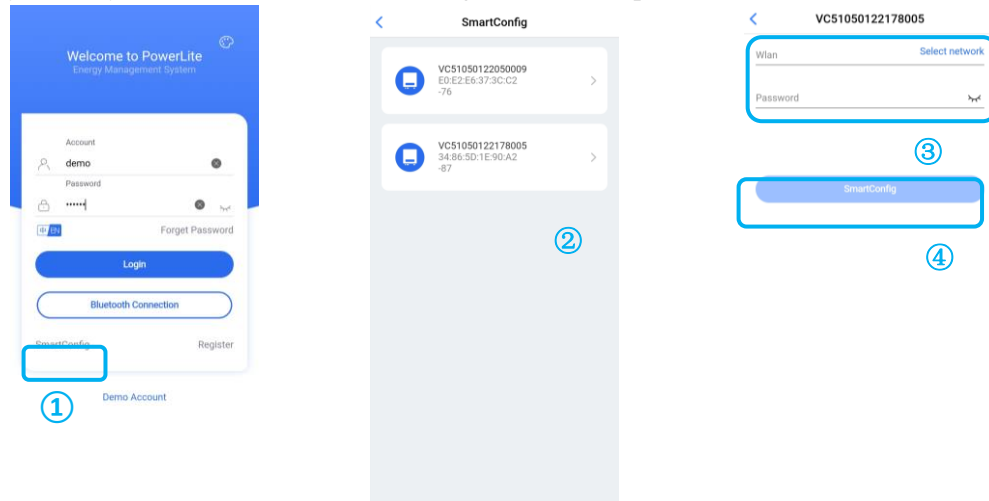
Note: If you have already registered a login account, please ignore this step.

3) Configure the network

(You can check the Bluetooth SN code of the battery device at the antenna position of the control

module)

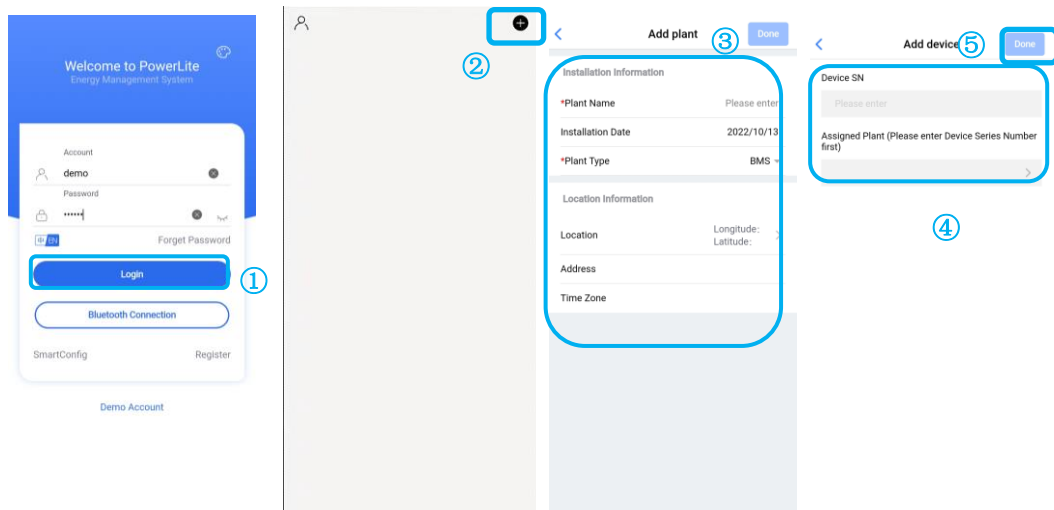
①Click "SmartConfig", ②Select the Bluetooth device corresponding to the battery, ③Enter the WiFi network account and WiFi password, ④Click "SmartConfig" to complete the networking, the APP displays the successful network configuration information and the WiFi icon on the display is always on, that is, the network configuration is completed.



c. Add site/device

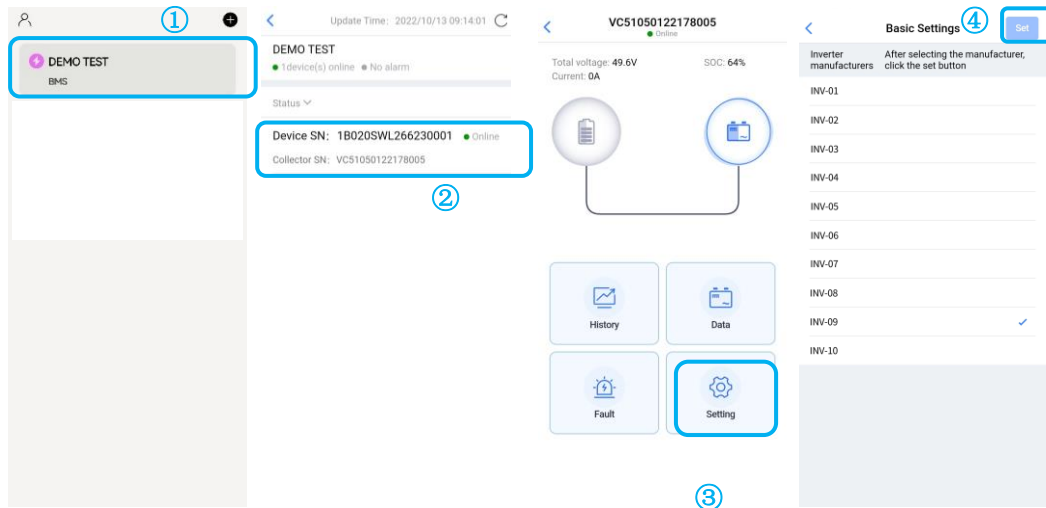
(Please check the battery equipment SN on the control box)

Enter the account, password and verification code, ①Click "Login" to log in. ②After logging in, click on the top right corner of the main interface to add a site, ③After recommending a power station, then add equipment, ④ select the SN code on the nameplate of the control module to add, ⑤And simultaneously click "Assigned Plant" to bind the battery equipment to the established power station , complete the site/device addition.



d. Select inverter manufacturer

After the site/device is added successfully, ①Click to enter the corresponding site, ②Click the Bluetooth SN code of the battery device to enter the battery interface, and you can view the device data, ③Click "Setting" to enter the inverter manufacturer interface for selecting the battery system configuration, ④Select After the inverter manufacturer is successfully set, the system configuration is completed.



Please refer to the table below to set inverter manufacturer parameters.

Inverter manufactures	APP setting
Default	INV-01
ESO	INV-02
Goodwe ET	INV-03
/	INV-04
/	INV-05
/	INV-06
Haier HV	INV-07
/	INV-08
/	INV-09
/	INV-10

6 Maintenance and troubleshooting

6.1 Routine maintenance

- Maintenance charge every 6 months

From the date of manufacturer shipment, the battery shall be maintained every 6 months. Action must be taken in case SOC reaches 0%.

Ambient temperature	Must be recharged within
(45, 50] °C	7 days
(35, 45] °C	15 days
≤35°C	30 days

- Disconnect the battery if not being used

BMS consumes power even when the battery is not being used. Disconnect the battery output to prevent the battery from becoming empty. For store-away, make sure the SOC is between 45% and 55% before disconnect.

- Check the battery system regularly. Contact your support if any anomaly detected.

6.2 Fault checklist

Fault	Cause	Solution
No voltage output when power on, and the key light is not on	<ol style="list-style-type: none"> 1. Press the key for less than 3s 2. Battery module failure 	<ol style="list-style-type: none"> 1. Please try restarting the battery, Press the key for more than 3s 2. Please contact the supplier for repair or replace the battery module
No voltage output when power on, but the key light is on	<ol style="list-style-type: none"> 1. The battery cannot be started due to external failure 2. Battery module failure 3. Control module fuse blown 	<ol style="list-style-type: none"> 1. Check the external wiring circuit, or disconnect the external wiring and try to power on again 2. If it cannot be started after the external wiring is disconnected, check or replace the battery pack 3. Check whether the fuse in the control module is connected, if not, please replace a new fuse.
Inverter won't start	<ol style="list-style-type: none"> 1. The battery voltage is too low or the SOC is lower than the shutdown protection value 2. Battery module failure 	<ol style="list-style-type: none"> 1. Charge the battery after starting the inverter from the grid or PV 2. Check the external wiring circuit, or disconnect the external wiring and try to power on again 3. Please contact the supplier for more information
Inverter CAN communication fails	<ol style="list-style-type: none"> 1. Inverter manufacturer's parameter setting without setting in PowerLite APP; 2. Inverter battery type selection error 3. Terminal resistance is not installed on COM1 port of control module 4. Inverter communication line pin connection error 	<ol style="list-style-type: none"> 1. Log in to the PowerLite APP to set PCS setting 2. Select the corresponding battery type on the inverter 3. COM1 install terminal resistor 4. Check whether the communication pin definitions of inverter and battery are consistent 5. Please contact the supplier for more information
Battery shutdown during charging and discharging	<ol style="list-style-type: none"> 1. The charging and discharging power is too large, and the battery is protected from excessive power 2. Battery module failure 	<ol style="list-style-type: none"> 1. Reduce the charging and discharging power of the inverter; 2. Please try restarting the battery 3. Log in to the PowerLite APP to view the fault information and contact the supplier
Battery module overcurrent protection	The charging and discharging power is too large, and the battery is protected from excessive power	<ol style="list-style-type: none"> 1. Reduce the charging and discharging power of the inverter; 2. Overcurrent fault can be recovered automatically. If the fault is triggered three times in succession, it will be locked and the system needs to be restarted 3. Log in to the PowerLite APP to view the fault information and contact the supplier
Battery module charging and discharging over-temperature protection	<ol style="list-style-type: none"> 1. The product installation environment is too high 2. The product has been running at rated power for too long 3. The internal fan of the battery module works abnormally 	<ol style="list-style-type: none"> 1. Check whether the ambient temperature exceeds the maximum allowable temperature range and whether the battery module installation position is well ventilated. If it is not ventilated or the ambient temperature is too high, please improve the ventilation and heat dissipation 2. Reduce the load power of the inverter

		3. If the ventilation and ambient temperature are normal, please contact the supplier for more information
Battery module charging low temperature protection	1. The product installation environment is too low 2. The heating film of the battery module works abnormally	1. Check whether the ambient temperature exceeds the minimum allowable charging temperature range. If the ambient temperature is too low, please improve the environment 2. Please contact the supplier for more information
Automatic shutdown at low battery voltage	The battery is over-discharged and not recharged in time	1. The inverter is set with charging mode, which can charge the battery through the grid or PV 2. Restart the battery and charge it through the inverter 3. Please contact the supplier for more information
Battery module failure	Internal failure of battery module	Log in to the PowerLite APP to view the fault information and contact the supplier
Short discharge time	battery SOC is low	Keep the product charged continuously and keep the energy storage battery system fully charged
	low ambient temperature	Guarantee the product to work within the recommended suitable temperature range
	Product overload	Check load status and remove non-essential loads
	Batteries age and capacity decreases	To replace the battery, please contact the supplier for the battery and its components
Unable to charge and discharge	Internal failure	Log in to the PowerLite APP to view the fault information and contact the supplier
	Battery report charging or discharging protection failure	Log in to the PowerLite APP to view the fault information and contact the supplier
	After the battery is discharged to the SOC protection value, it needs to be charged for a period of time before it is allowed to discharge.	The battery is charged to the SOC value set by the restart
	battery over temperature	Stand at room temperature for more than 3 hours
After the system is powered on, the display cannot be lit or the displayed content is abnormal	1. Display failure 2. Control module fault	1. Please try restarting the battery 2. Log in to the PowerLite APP to view the fault information and contact the supplier 3. Please contact the supplier to repair or replace the control module
The display cannot wake up and light up during system operation	1. If the POWER button light is off, the POWER button is faulty or the button wiring is loose 2. If the display still does not light up after restarting, the display is faulty	1. Log in to the PowerLite APP to view the fault information 2. Please try restarting the battery 3. Please contact the supplier to repair or replace the control module
The number of battery icons displayed on the display screen is inconsistent with the actual number	Communication disconnection	1. Check whether the battery stack is installed reliably, and confirm the abnormal battery through the battery status indicator on the display 2. Please try restarting the battery 3. Please contact the supplier to repair or replace the battery module
The system status light on the	Battery module failure	Log in to the PowerLite APP to

display is abnormal and blinks every 1S		view the fault information and contact the supplier
The heater works abnormally, and the heating status indicator on the display flashes every 1S	Heating circuit failure	Log in to the PowerLite APP to view the fault information and contact the supplier
Abnormal Bluetooth connection	1. bluetooth account connect error 2. Bluetooth connected to other devices	1. Check whether the paired Bluetooth is consistent with the installed product 2. Disconnect Bluetooth from other devices
Abnormal WiFi connection	1. The WiFi connection is misconfigured 2. The WiFi module is abnormal and the line connection is abnormal	1. Check if the battery WiFi connection configuration is correct 2. Check whether the antenna is installed or connected reliably

7 Warehouse storage guidelines

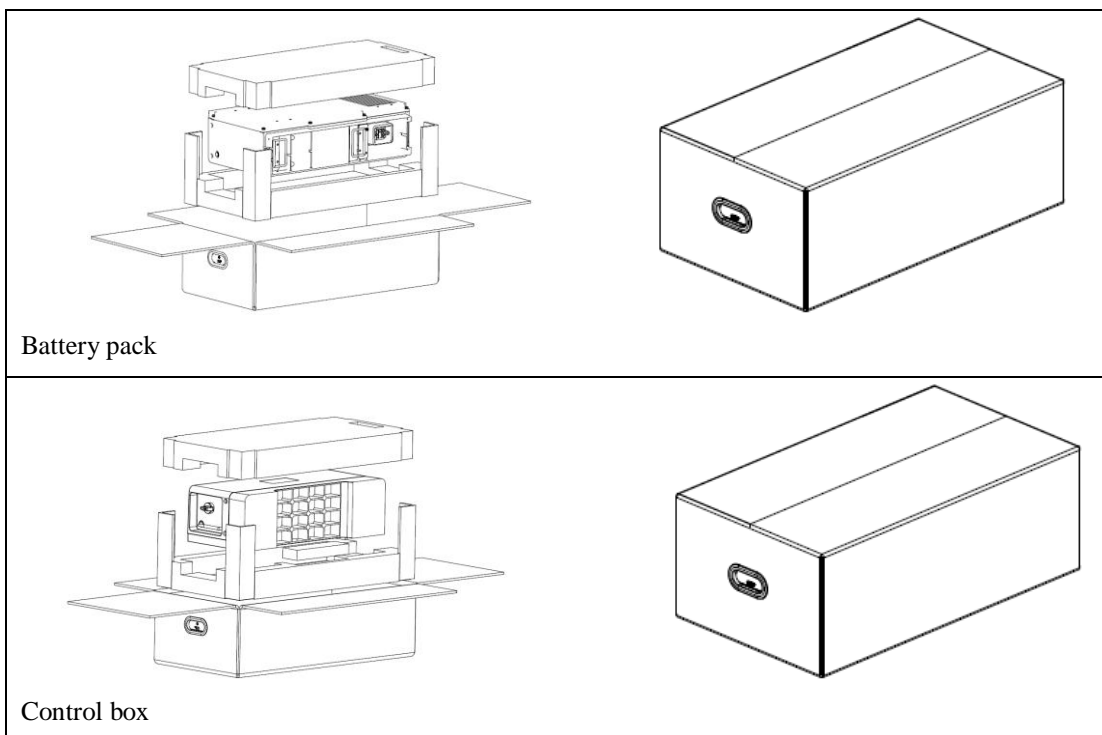
7.1 Packaging guidelines

Lithium-ion batteries is recognized as dangerous goods. The packaging requirements for battery products are as follows:

- a. The packaging manufacturer with the packaging qualification for dangerous goods is responsible for providing product packaging, and the packaging manufacturer has a record in the local Commodity Inspection Bureau;
- b. After the packaging manufacturer completes the packaging, the supplier needs to apply to the Commodity Inspection Bureau, and the Commodity Inspection Bureau will provide the "Dangerous Package Product Use Inspection Sheet" and "Dangerous package product performance inspection sheet", and complete the dangerous package commodity inspection;
- c. All battery packs should be packaged with product instruction manuals. The packaged product should be placed in a dry, dust-proof and moisture-proof packing box;
- d. The product name, model, quantity, gross weight, manufacturer, and ex-factory date should be marked on the outside of the packing box.
- e. The necessary signs such as "upward" and "fear of fire" shall meet the requirements of GB/T 191;
- f. The packing method is: packing in a carton with molded foam buffer material in the carton;
- g. Accessories packaging: single accessories are first fastened with cardboard or plastic film or braided straps, neatly placed in the carton, and filled with regular fillers (foam pads, cardboard, etc.) to prevent the accessories from shifting in the box. The following documents should be included with the product when leaving the factory:
 - 1) Product certificate (both in Chinese and English);
 - 2) Product use (installation) manual (both in Chinese and English);
 - 3) Product packing list (both in Chinese and English);
 - 4) Factory inspection report (both in Chinese and English).
- h. Clean battery

Regular cleaning of the battery system is recommended. If the case is dirty, use a soft dry brush or dust collector to remove the dust. Cleaning liquid materials include solvents, abrasives, etc. Corrosive liquids should not be used to clean the housing.

i. Packaging step



7.2 Storage

The battery pack is stored in a clean, dry and ventilated room with an ambient temperature of $25\text{ }^{\circ}\text{C} \pm 5\text{ }^{\circ}\text{C}$ and a relative humidity of not more than 75%. The battery pack has a state of charge of 45% to 55%. Avoid contact with corrosive substances and keep away from fire and heat sources.

8 Dispose of used batteries

Comply with applicable local regulations for the disposal of electronic waste and used batteries.

- Do not mix with your household waste.
- Do not expose the battery to high temperatures or direct sunlight.
- Do not expose batteries to high humidity or corrosive environments.

Contact supplier or original manufacturer for disposal options.

9 Detailed specifications

System Specifications

Item	Parameter
Control module model	H0K6050P03-H
Operating voltage	250-550Vdc

Max. current	50A			
Battery module model	B40012DP03-H			
Cell Type	LFP			
Rated Voltage	400V, with DC-DC power module built-in			
Rated energy	5kWh			
Group method	16S1P			
Rated Capacity	HHS-1X5K	HHS-1X10K	HHS-1X15K	HHS-1X20K
No. of batt. module	1	2	3	4
Rated energy	5kWh	10kWh	15kWh	20kWh
Rated power	2.5kW	5kW	7.5kW	10kW
Maximum charge current	6A	12A	18A	24A
Maximum discharge current	6.5A	13A	19.5A	25A
Dimensions W*H*D, mm	653*597*189	653*912*189	653*1227*189	653*1542*189
Net weight	67kg	119kg	171kg	223kg
Rated voltage	400V			
Operating voltage	350V~450V			
External communication	CAN/RS485/WiFi/LAN			
Cycle life	6000 times (25 ℃, 0.5C/0.5C, 90%DOD, 70% remaining)			
Scalable	Up to 3 cabinets in parallel			
Protection class	IP65			
Operating temperature	Charging [-10,50] ℃; Discharging [-20,50] ℃			
Working humidity	10%~95%RH			
Working altitude	≤2000m,>2000m derating			
Warranty	10years			
Certification	IEC62619,CE,UN38.3			



Manufacturer: Qingdao Nahui Energy Technology Co., Ltd.
Adress: Room303, Entrance 1, No.4 Building, Lan Gu Entrepreneurship Center Phase 1, No. 7,
Keji Yilu Road, Aoshanwei Sub district Office, Jimo District, Qingdao, Shandong